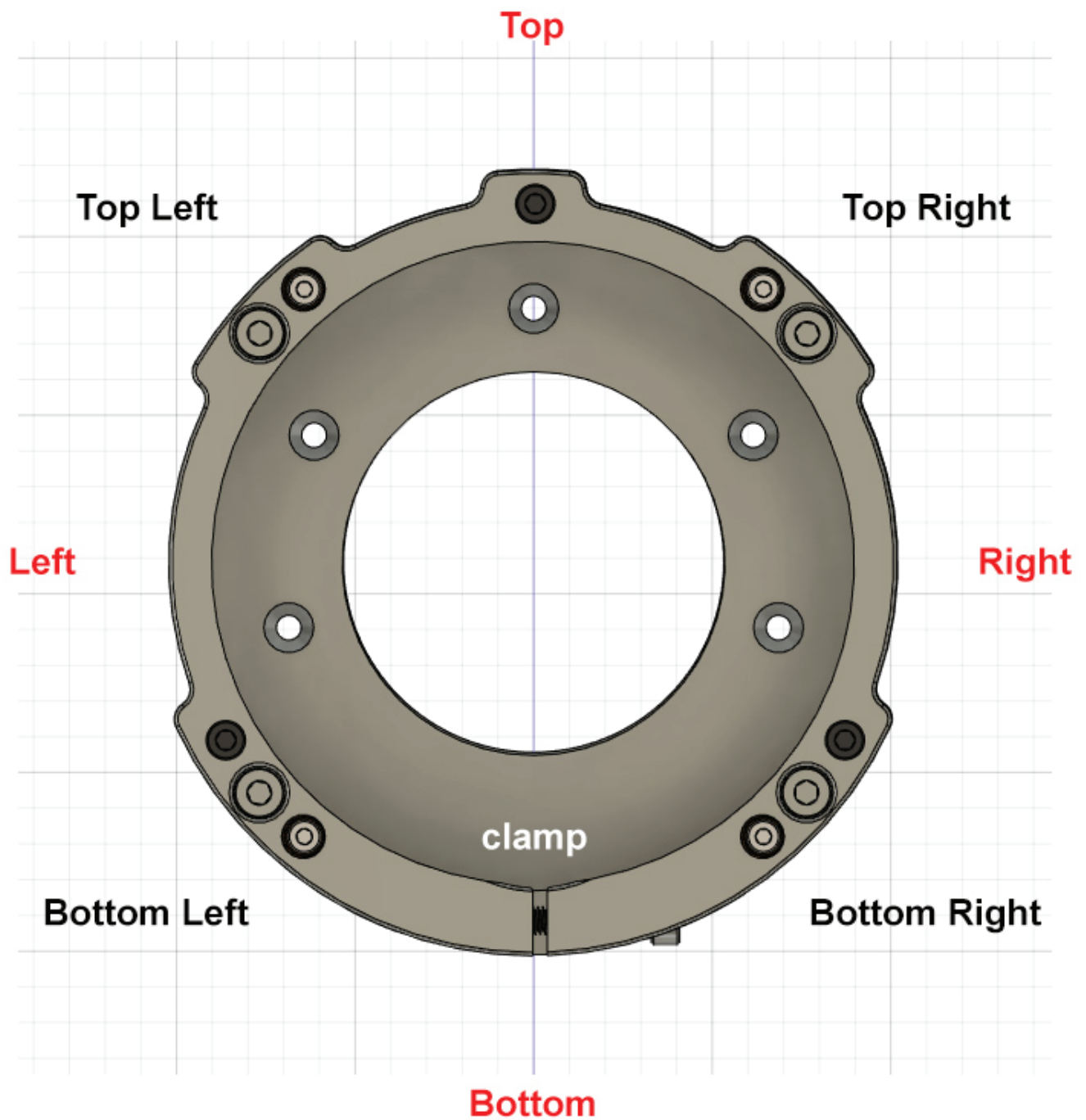
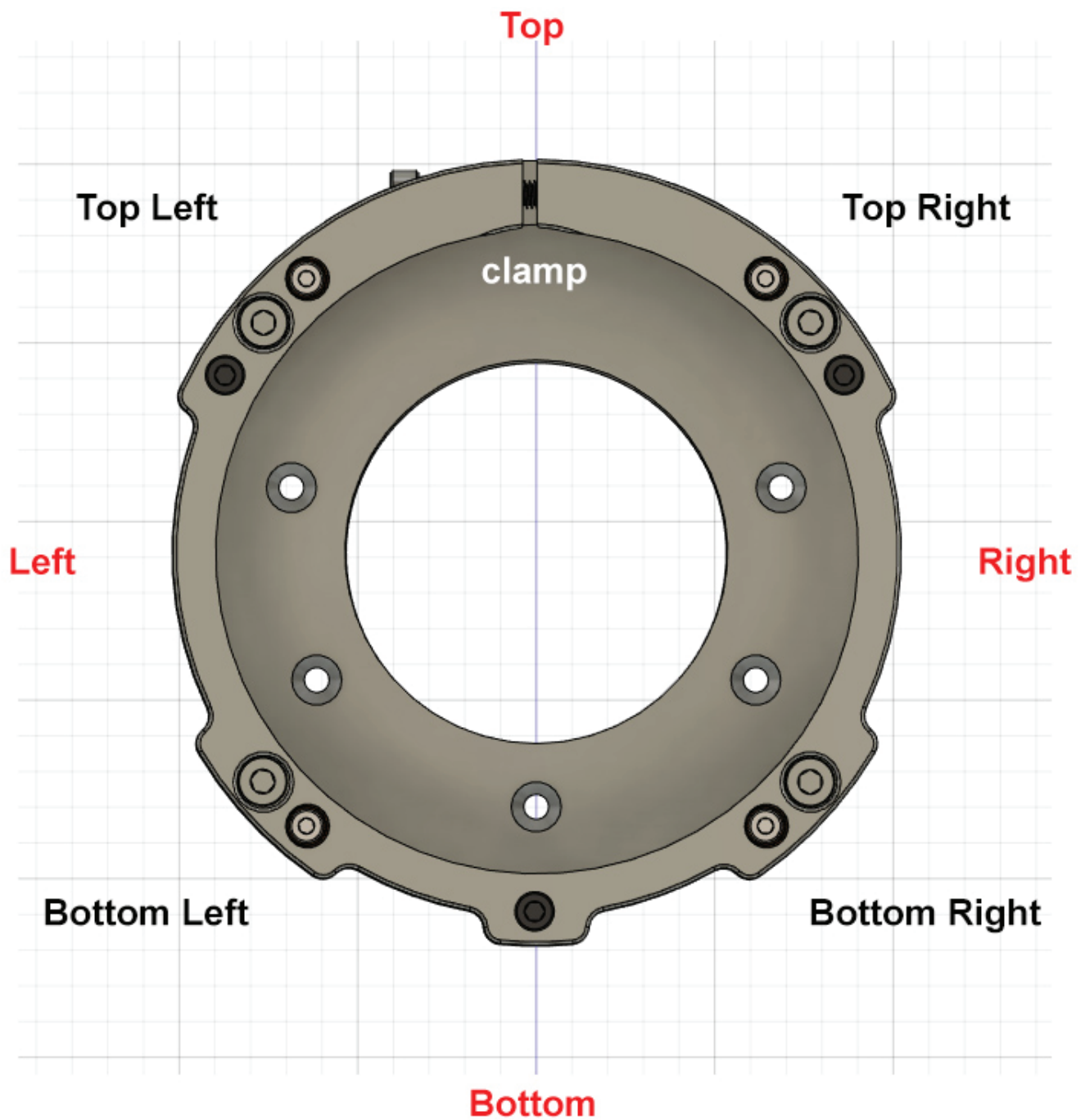


Orientation #1



Tilt plate as viewed from back of camera looking toward scope

Orientation #2



Tilt plate as viewed from back of camera looking toward scope